

# BK022iS PIR Sensor

## KNX MOTION SENSOR

### DESCRIPTION



The BK022iS is a KNX Ceiling Mount PIR & LUX Sensor with a multi-functional movement sensor, ideal for lighting and security applications, designed to detect a wide movement at up to 24Meters away.



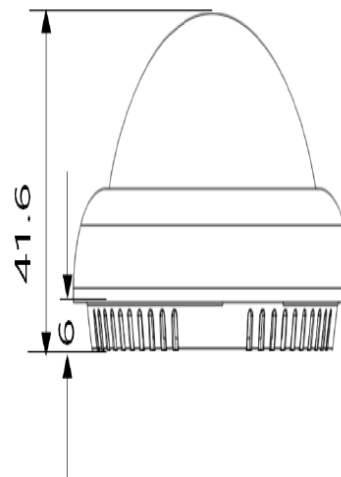
### MOUNTING AND SAFETY INSTRUCTIONS

- Mounting Location to be indoor.
- Avoid installation near the air-conditioner vent and be away from the heat source.
- The device should only be installed and put into operation by qualified electrician or authorized person.
- Failure to observe the instructions may cause damage to the device and result in fire and other hazards.
- Do not connect the main voltage (230 VAC) or any other external voltages to any point of the KNX bus.
- Ensure that there is enough insulation and space between the 230 VAC voltage cables and KNX bus.
- Installation only in dry locations and on a 35 mm DIN rail and do not expose this device to direct sunlight, rain or high humidity.
- Connect the KNX bus line as for common KNX bus connections with a KNX bus cable, to be stripped and plugged into the KNX TP connector.
- The tightening torque shall not exceed 0.2Nm.
- Do not use aerosol sprays, solvents or abrasives that might damage the device.
- Accessibility of the device for operation and visual inspection must be provided.

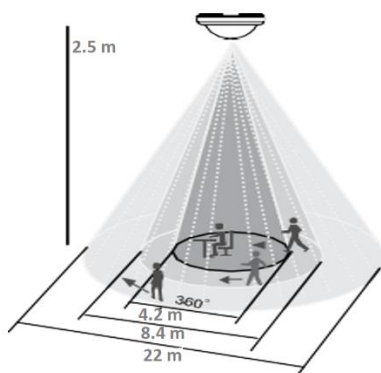
### MAIN FUNCTIONAL CHARACTERISTICS

- The multi-function motion sensor can report movement status, temperature, Lux or dry contacts status to KNX system.
- The wide range Sensor detect range can be up to 24 meters.
- The multi-function motion sensor supports constant brightness out-put.
- Can be used to control Switches, Absolute dimming control, Shutter control, Alarm control, Percentage control, Sequence control, Scene control, String control, Logic combination control.
- With function of constant brightness: keep the lux in the constant value, will dim the lights to the corresponding intensity according to the surrounding brightness.
- The logic validity can be set by dry contact or external telegram, enable end-user to enable or disable the preset logics.
- The work mode includes single mode and Master & Slave mode. One master sensor can be used in conjunction with multiple slave sensors, when slave sensor detects the movement, will send the data to master sensor, then the master sensor will control the targets.

### SENSOR DIMENTIONS (MM)

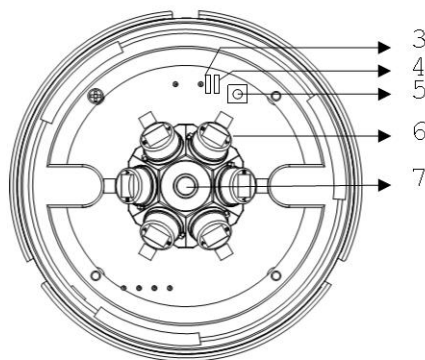
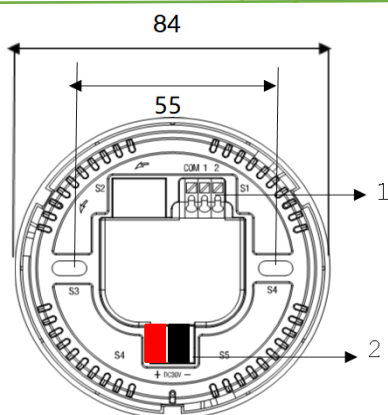


## COVERAGE DIAGRAM:



Mounting height	Seated activity	Walking Towards	Walking across
2.5m	4.2m	8.4m	22m
3m	4.6m	9.6m	23.2m
4m	5.2m	10.6m	24.8m
5m	6.7m	11.5m	27.6m

## BASE DIMENTIONS (MM) & CONNECTION DIAGRAM:



1	Dry contact, from left are Com, dry contact 1, dry contact 2
2	KNX/EIB interface
3	Programming LED (VE7): For indicating normal mode (LED Off) or addressing mode (LED On); it is automatically Off once the physical address has been modified. or idle mode (LED Off)
4	Working LED (VE8): detect any movement LED will ON. The LED state can be set.
5	Programming button
6	IR detectors: each detector has specified number that could be set, enable or disable individually for different zone detect. The specified number are S1, S2, S3, S4, S5, S6
7	LUX sensor

## TECHNICAL DATA:

Electrical Parameters	
Device Name	BK022iS
Sensor type	PIR Wide-Range
Power Supply	KNX BUS Voltage
Current consumption	10mA
Environmental parameters	
Operating Humidity	>90 RH
Storage Humidity	Up to 92%
Operating temperature	-10°C ~ +45°C
Storage Temperature	-10°C ~ +60°C
Transport Temperature	-10°C ~ +70°C
Device Parameters	
Protection type	IP20
Mounting	Ceiling Mount
Sensing range (Diameter)	22m @ 2.5m height
Additional Inputs	2 Dry contacts
Flammability	Non-Flammable Product
Dimensions (mm)	84 X 41.6 (Φ X H)
KNX Bus Connector	0.6 ~ 0.8 Ø, solid
Tightening torque	< 0.2 Nm
Available colors	Light Gray