

BK905WS Microwave Sensor



KNX SENSOR

DESCRIPTION



BK905WS is a KNX Outdoor Doppler Sensor includes 4 independent logic blocks and 1 combined logic block, the logic relation can be “AND” “OR”, logic input conditions can be the condition of LUX sensor, microwave sensor, humidity sensor, temperature sensor, dry contact external telegram.

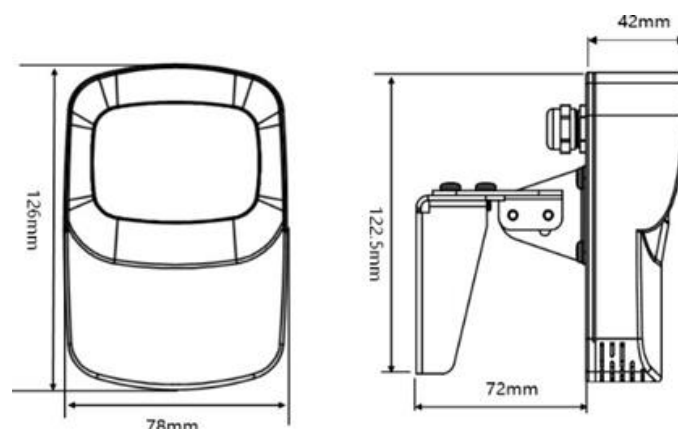
MOUNTING AND SAFETY INSTRUCTIONS

- Avoid installation near the air-conditioner vent and be away from the heat sources.
- The device should only be installed and put into operation by qualified electrician or authorized person.
- Failure to observe the instructions may cause damage to the device and result in fire and other hazards.
- Do not connect the main voltage (230 VAC) or any other external voltages to any point of the KNX bus.
- Ensure that there is enough insulation and space between the 230 VAC voltage cables and KNX bus.
- Connect the KNX bus line as for common KNX bus connections with a KNX bus cable, to be stripped and plugged into the KNX TP connector.
- The tightening torque shall not exceed 0.4Nm.
- Do not use aerosol sprays, solvents or abrasives that might damage the device.
- Accessibility of the device for operation and visual inspection must be provided.

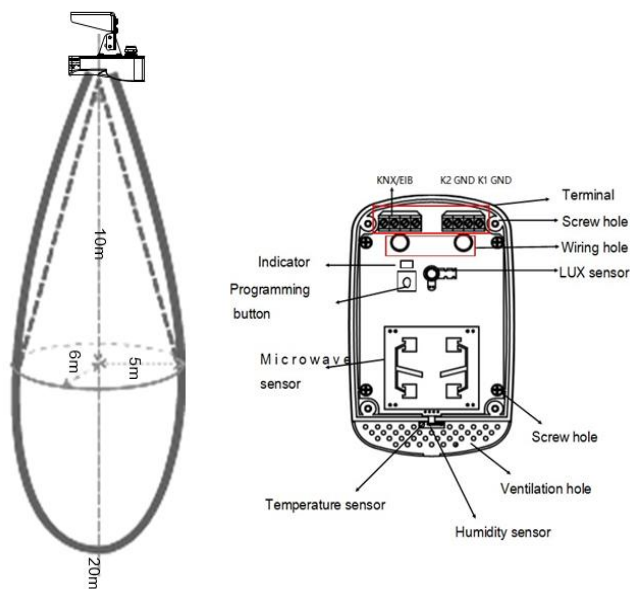
MAIN FUNCTIONAL CHARACTERISTICS

- Built-in LUX sensor, microwave sensor, humidity sensor, temperature sensor, dry contact, external telegram.
- The multi-function motion sensor has 5 logic function blocks and can be set the logical relation AND/OR, Each with 10 output objects. The work mode includes single mode and Master & Slave mode.
- BK905WS can report movement status, temperature, Lux status to KNX system.
- The sensor supports object controls such as; Switch control, Absolute dimming control, Shutter control, Alarm control, Percentage control, Sequence control, Scene control, String (14 bytes) control, Threshold control, Logic combination.
- The logic validity can be set by external telegram, enable end-user to enable or disable the preset logics.
- With function of constant brightness: keep the Lux in the constant value, will dim the lights to the corresponding intensity according to the surrounding brightness.

CONNECTION DIAGRAM



DETECTION & PROGRAMMING DIGRAM:



TECHNICAL DATA:

Electrical Parameters	
Device Name	BK905WS
Sensor type	Microwave Motion detector
Power Supply	KNX BUS Voltage
Current consumption	20mA
Environmental parameters	
Operating Humidity	>90 RH
Storage Humidity	Up to 92%
Operating temperature	-10°C ~ +45°C
Storage Temperature	-10°C ~ +60°C
Transport Temperature	-10°C ~ +70°C
Device Parameters	
Protection type	IP56
Mounting	Wall Mount
Detection range (HXWXL) Diameter	10X11X20 M
Flammability	Non-Flammable Product
Dimensions (HXWXD mm)	126X78X114
KNX Bus Connector	0.6 ~0.8 Ø, solid
Tightening torque	< 0.4 Nm
Available colors	Light Gray